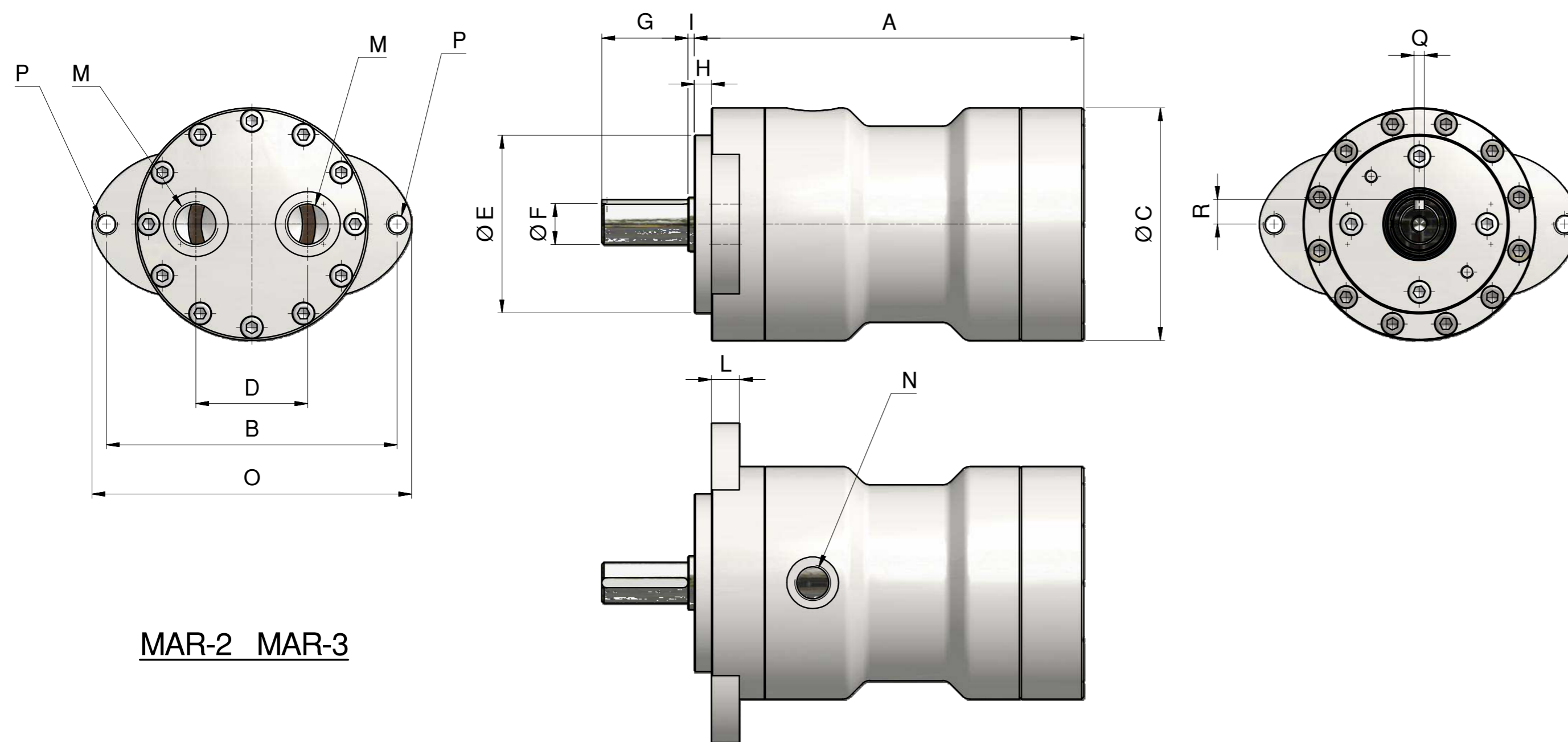


MAR-4 MAR-5



MAR-2 MAR-3

Coppia N/m	0.65	1.04	1.62	3.55
Pressione bar	300	350	350	350
Cilindrata cc.	32/40	44/65	80/105	151/205
R	11.4	13.5	20.79	22.65
Q	4.8	4.8	7.94	7.94
P	M10	M12	M16	M16
O	150	185	230	260
N	3/8" BSP	3/8" BSP	1/2" BSP	3/4" BSP
M	1/2" BSP	3/4" BSP	1" BSP	1 1/4" BSP
L	13	13	20	20
I	3	3	5	5
H	8	8	12	15
G	40	50	58	60
F	19.05	22.2	34.9	38.6
E	82.5	101.6	127	127
D	52	70	85	115
C	108	135	170	200
B	135	165	200	240
A	181	227	241	284
MODELLO	MAR-2	MAR-3	MAR-4	MAR-5

**ZELI** s.r.l  
Via Pancaldi n° 59  
41122 Modena