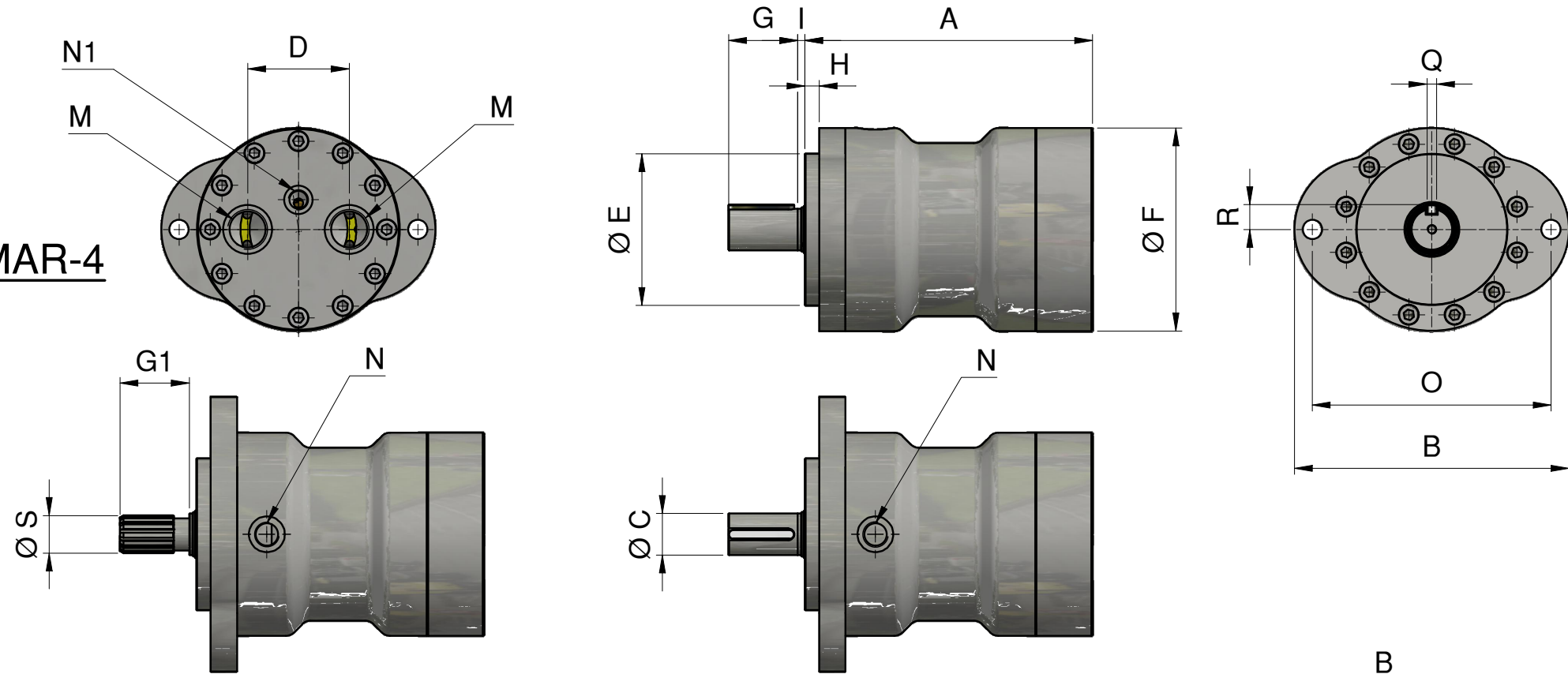
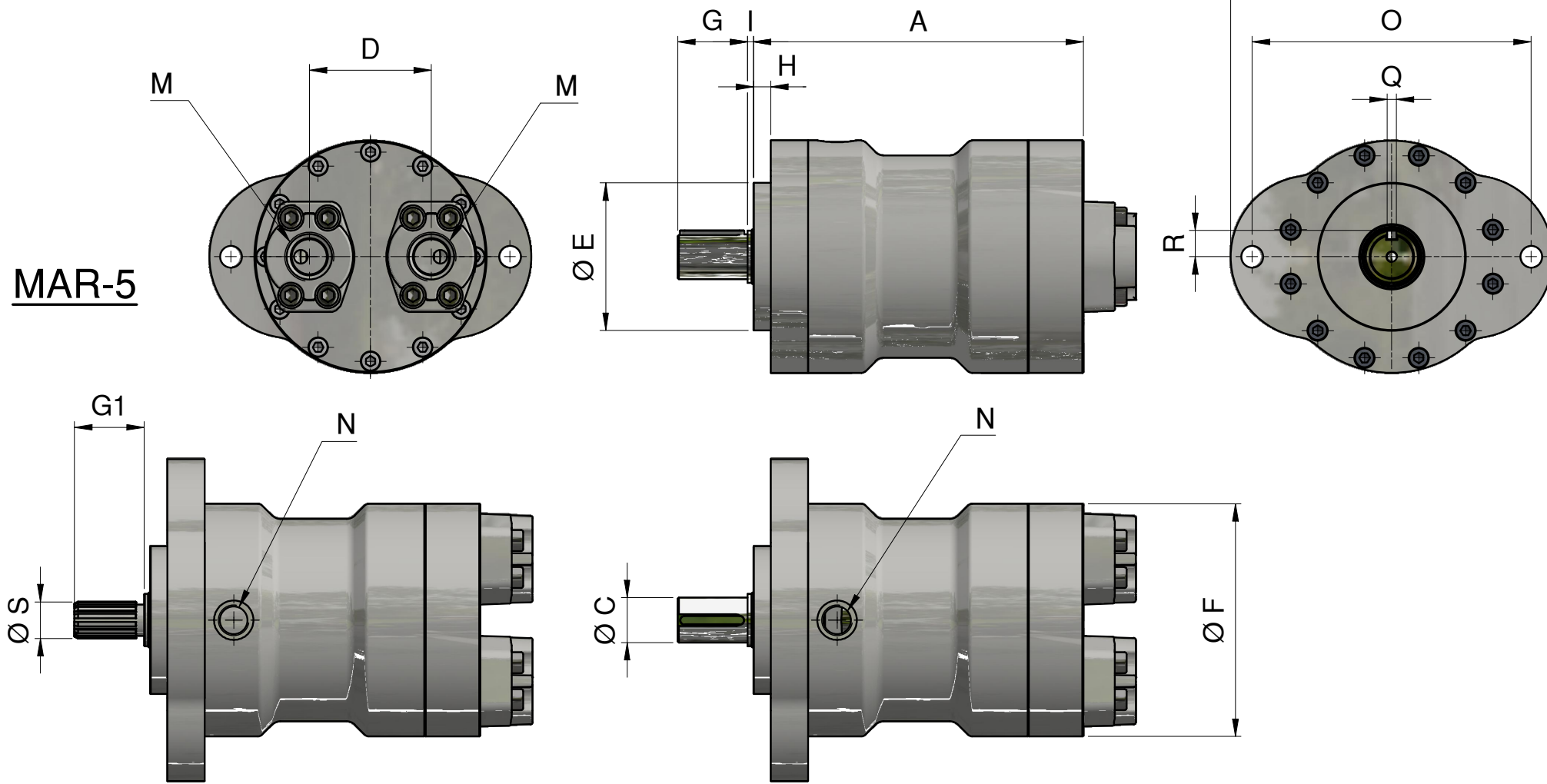


MAR-4



MAR-5



Serie S albero scanalato
S splined shaft series

Serie C Albero con chiavetta
Series C shaft with key

**PARTI ESTERNE IN ACCIAIO INOX
ALL THE EXTERNAL PARTS ARE IN STAINLESS STEEL**

**Dimensioni in mm
Installation dimensions = mm**

Peso Kg Weight Kg	30	46
Coppia daNm100 bar Torque daNm 100 bar	12.3	26.1
Pressione bar Pressure bar	350	350
Cilindrata cc. Displacement cc.	80/105	151/205
S	12/24 DP Z=14	12/24 DP Z=14
R	20.44	22.3
Q	10	10
P	16.5	16.5
O	200	240
N - N1	1/2"BSP-3/8"BSP	3/4"BSP
M	1" BSP	1"1/4 BSP
L	20	20
I	5	5
H	12	15
G1	58	60
G	58	60
F	170	200
E	127	127
D	85	115
C	34.9	38.6
B	230	260
A	241	284
Modello Model	MAR-4C MAR-4S	MAR-5C MAR-5S

Zeli s.r.l
Via Pancaldi n°59
41122 Modena
info@zelistore.it

Motori oleodinamici a pistoni assiali
cilindrata fissa: da 11cc/giro a 205cc/giro
Axial piston hydraulic motors , fixed
displacement : from 11cc/rpm to 205/rpm