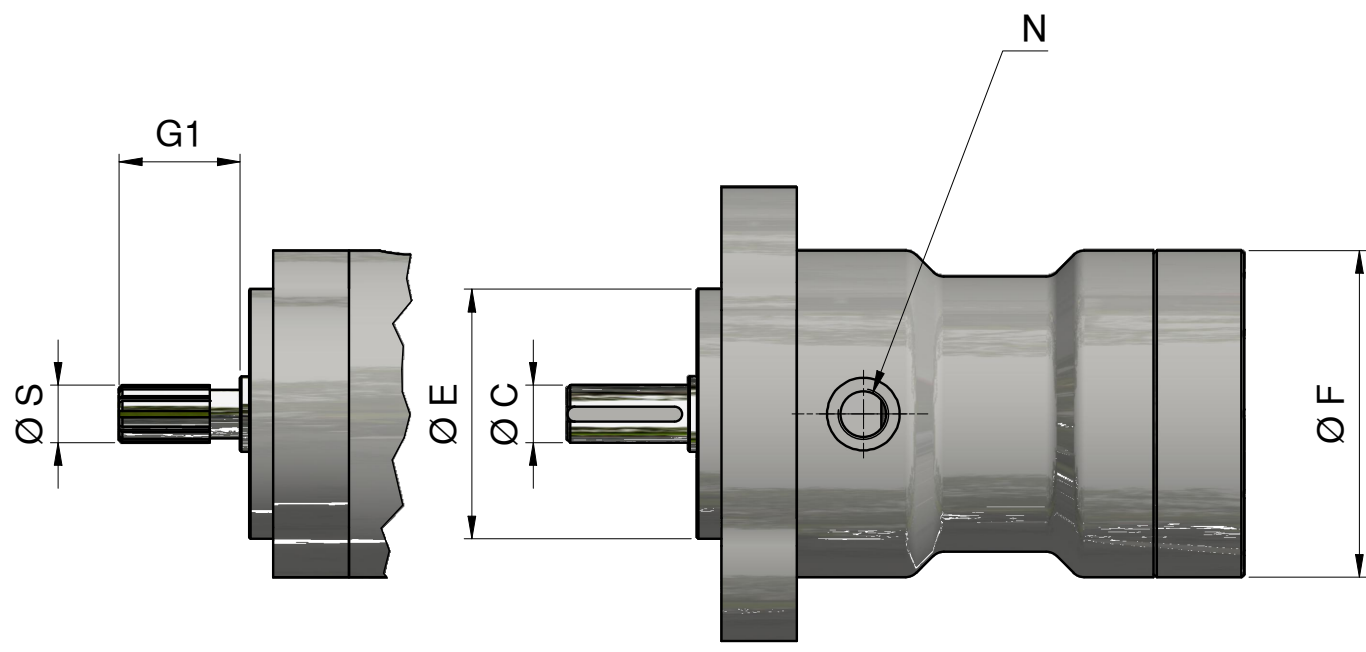
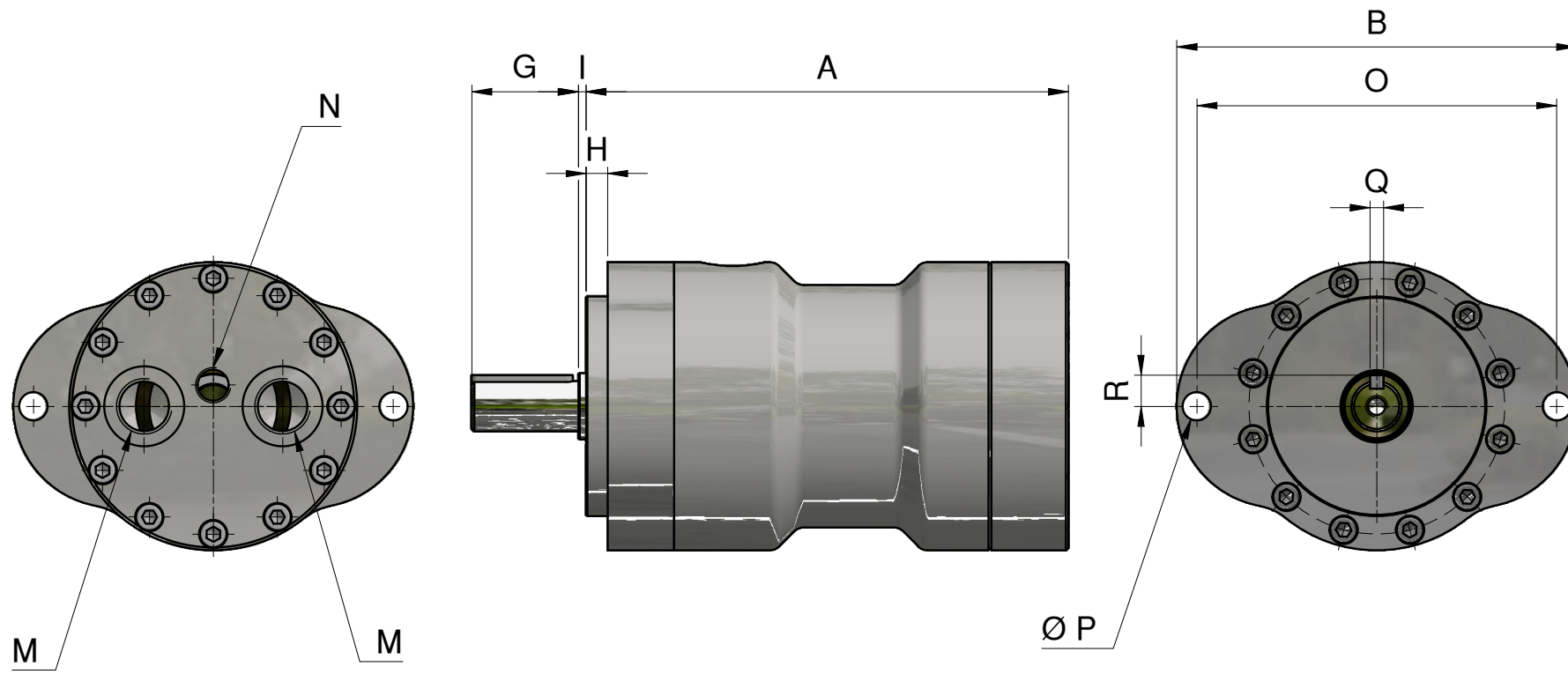


Dimensioni in mm
Installation dimensions = mm



Serie S albero scanalato
S splined shaft series

Serie C Albero con chiavetta
Series C shaft with key

PARTI ESTERNE IN ACCIAIO INOX
ALL THE EXTERNAL PARTS ARE IN STAINLESS STEEL

Peso Kg Weight Kg	10	15	22
Coppia daNm100 bar Torque daNm 100 bar	2.2	5.4	8.8
Pressione bar Pressure bar	300	300	350
Cilindrata cc. Displacement cc.	16/11	32/40	44/65
S	16/32 DP Z=9	16/32 DP Z=11	16/32 DP Z=13
R	11.4	11.4	13.5
Q	5	5	5
P	8.5	10.5	12.5
O	108	135	165
N - N1	1/4"BSP	3/8"BSP 1/4" BSP	3/8"BSP
M	1/2"BSP	1/2"BSP	3/4"BSP
L	6	13	13
I	1	3	4
H	5.5	8	8
G1	32	40	50
G	50	40	50
F	90	108	135
E	63	82.5	101.6
D	45	52	70
C	19	19	22.2
B	126	150	185
A	146	181	227
Modello Model	MAR-1	MAR-2	MAR-3

Zeli s.r.l
Via Pancaldi n°59
41122 Modena
info@zelistore.it

Motori oleodinamici a pistoni assiali
cilindrata fissa: da 11cc/giro a 205cc/giro
Axial piston hydraulic motors , fixed
displacement : from 11cc/rpm to 205/rpm