

COMPRESSED AIR LUBRICATOR - LARGE

SHAVO
FIRST NAME IN PNEUMATICS

SL17 (G1, G1¼, G1½)

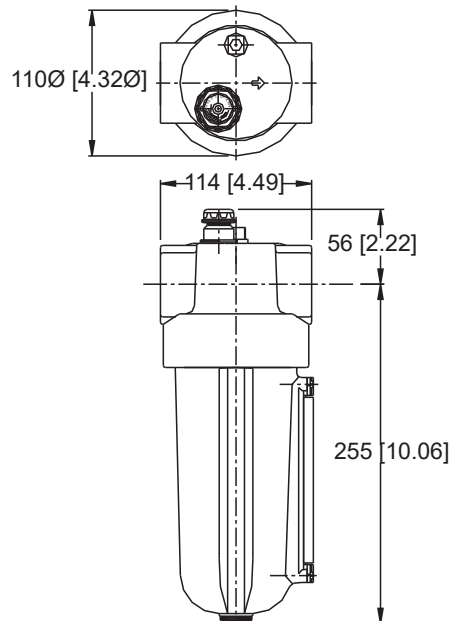
FEATURES

Shavo's Designer Series Large Flow Range Lubricator is useful to lubricate air tools, cylinders, valves, air motors and other air driven devices.

Use Oil-fog model to lubricate a single tool/device or choose 'Micro-Mist' in systems with complex piping or multiple points of lubrication.



PARAMETERS	SPECIFICATIONS
Pipe Threads	G 1, 1¼, 1½ Parallel (F) - Standard
Type	Oil-Fog / Micro - Mist
Body Material	Al. Alloy die-cast
Bowl Material	Al. Alloy Metal with sight glass - Standard
Bowl Capacity	1 litre
Maximum Inlet Pressure	250 psig (17.5 bar)
Maximum Operating Temperature (ambient)	80°C
Standard Nominal Flow Rate at 6 bar (87 PSI) supply pressure and 1 bar (14.5 PSI) Pressure drop	590 scfm (278 dm³/sec) CV(11.13)
Minimum reqd flow (at 87 psi inlet)	7.2 scfm
Recommended Lubricants	Use any good quality misting type oil rated 50 - 200 SSU (ISO grade 7 - 46) at 38° C (100°F) Use oils which are compatible with the material of construction.



Technical know-how, design and drawings originally from C.A. Norgren Co. USA

SHAVO

Mumbai, India.

Email: shavo@shavoindia.com

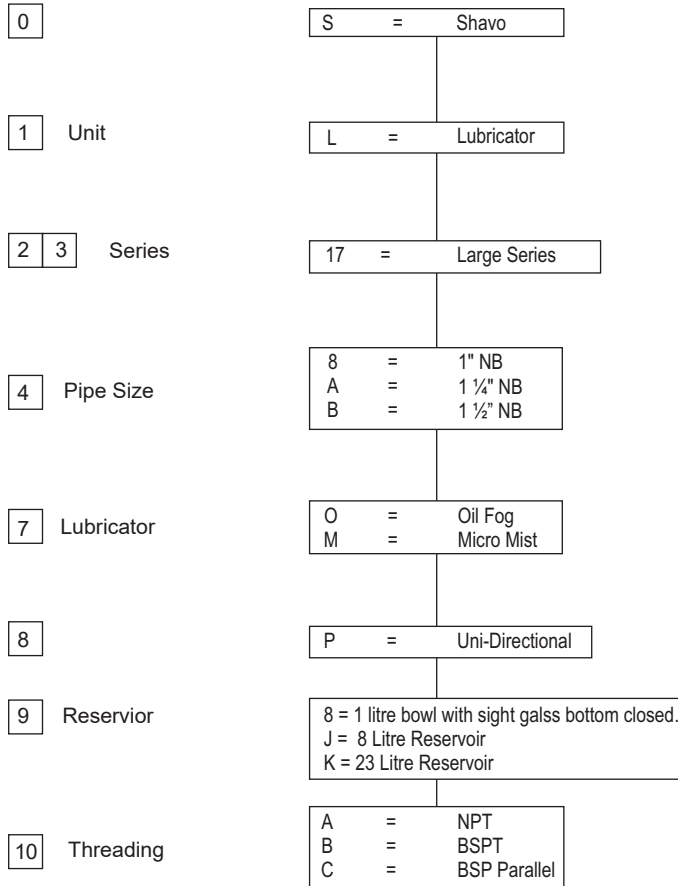
SL17 (G1, G1¼, G1½)

Size	Flow (scfm)	Start point (dm³/s)	Bowl	Bowl Capacity	Model
G 1	590 scfm (278 dm³/sec)	7.2 scfm (3.4 dm³/sec)	Metal	1 Litre	SL17-800-OP8C
G 1 ½					SL17-B00-OP8C
G 1	590 scfm (278 dm³/sec)	7.2 scfm (3.4 dm³/sec)	Metal	1 Litre	SL17-800-MP8C
G 1 ½					SL17-B00-MP8C

Option Selector

Sample Model Number → **S L 1 7 - 8 0 0 - O P 8 C - X X X - X - X X X**

Position → **0 1 2 3 - 4 5 6 - 7 8 9 10 - 11 12 13 - 14 - 15 16 17**



SL17 (G1, G1¼, G1½)

11 12 13 Test / Approval

C	0	0	CE
C	0	1	UKCA
C	0	2	CE,UKCA
E	0	0	EAC
E	0	1	EAC, UKCA
S	0	0	SIL3
S	0	1	SIL3, UKCA
G	0	0	CE, EAC
G	0	1	CE, EAC, UKCA
H	0	0	CE, SIL3
H	0	1	CE, SIL3, UKCA
K	0	0	CE, EAC, SIL3
K	0	1	CE, EAC, SIL3, UKCA
X	X	X	Standard Units Without Any Certificatios / Approval
[O]	[0]	[0]	Other Customer Special Requirement if Any

14 Elastomer

X	=	Standard unit with Nitrile elastomer
[L]	=	Low temp.Nitrile elastomer (LNBR)

15 16 17 Compliance

X	X	X	Standard Unit Without any Compliance
A	0	1	RoHS 3 Compliance
A	0	2	REACH Compliance
A	0	3	Copper Free (Only Applicable Aluminium Version)
A	0	4	RoHS3, REACH Compliance
A	0	5	RoHS3, REACH, Copper Free (Only Applicable for Aluminium Version)
A	0	6	RoHS3, Copper Free (Only Applicable for Aluminium Version)
A	0	7	REACH, Copper Free (Only Applicable for Aluminium Version)

Note: Option shown in the [] bracket are special, Please contact Sales HQ/Manufacturing.

* Technical know-how, design and drawings originally from C.A. Norgren Co. USA